

Comfortable
living moves.



G* GRASS
The star in your cabinet

»» interwood

Perfect functionality in a complete product range.



The Grass Interwood product range



The undermount slide system for high-quality workmanship, for individuality and design in wood.



Taking advantage of consumer trends, scoring with high quality.

The demand for wood furniture in the living area is on the increase. "Living comfortably is in again", says market research. In a time when their lives are marked by constant mobility and a hectic pace, people are again looking at their home as a place of retreat. More than half of all end users value quality when buying furniture, and more than three-quarters are prepared to pay higher prices for attractive furniture. Wood as a raw material, and the woodworking craft, benefit from this trend. And Grass supports it wholeheartedly with the Interwood slide system.

Perfect functionality in a complete product range.

For your customers, quality is the sum of a product's look, functionality, workmanship and longevity. Grass Interwood supports this quality for the consumers in all aspects – we contribute to optimum craftsmanship and to the perfect, long-term functionality of the furniture. The product range includes full-extension or regular extension slides with automatic self-closing device and the convenient Grass Airmatic air cushioning system, or with the Tipmatic function for modern, handle-free furniture design. Your customer wishes, you play. With Grass Interwood.

Stability and smooth running.

The uniquely smooth running of the Interwood system turns every movement into a revelation. Drawers and slides are guided precisely, safely and steadily. Again and again, even under full load.

Low extension forces, perfectly damped.

With every opening and closing, the consumer perceives the technical properties of the slide system as a function of the furniture. The extension resistance, for instance, which represents an excellent combination of stability and easy opening, or the convenience of the integrated, hygienic Grass Airmatic air

cushioning system – no oil can escape to contaminate foodstuffs, clothes and other products.

Neat design.

The Grass Interwood system includes elegant inside partitions that stand out by their look and material: the stainless steel Grass Ino(x)sys system and chrome-plated side and divider railing.

Grass Interwood full-extension slide

Full-extension slides for wood drawers.

Unique product features for maximum customer benefit.

The Grass Interwood under-mount slide system supports the tradition of expert workmanship with the following product features.

- Smooth, easy running
- Low extension forces
- Perfect, hygienic Airmatic air cushioning, integrated into the slide system
- Max. load 40 kg
- Absolute stability and lateral stability

Efficient assembly, simple design.

Grass Interwood is installed and assembled in a few steps. The installation of Grass snap-in devices ensures high quality and fast assembly at once.

- The drill hole pattern is compatible with Grass Nova Pro and other systems
- Tool-free height adjustment
- Simple insertion and removal of drawers
- Wide range of lengths



Ordering information

Order one Interwood full extension and Grass snap-in devices for a set. A packing unit of full-extension slides includes 5 pairs of slides. A set of snap-in devices consists of 5 snap-in devices each for the left and right side.



Interwood full extension 7514	
Lengths	Full extension
270	67855-03
300	67858-03
320	67861-03
350	67864-03
380	67867-03
400	67870-03
420	67873-03
450	67876-03
480	67879-03
500	67882-03
520	67885-03
550	67888-03
600	67891-03
650	67894-03
Packing unit	5 Pairs

Grass snap-in device for Interwood

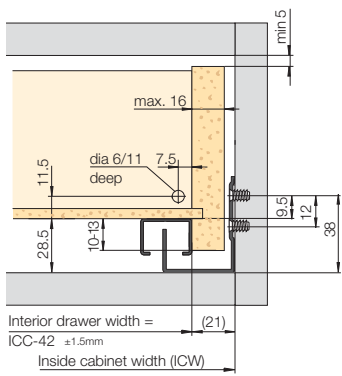
Set of 5 snap-in devices	67897-38
Set: 5 left and 5 right	
200 snap-in devices	67897-12
Box of 200 snap-in devices containing packs of 5 pairs each	

Assembly aids

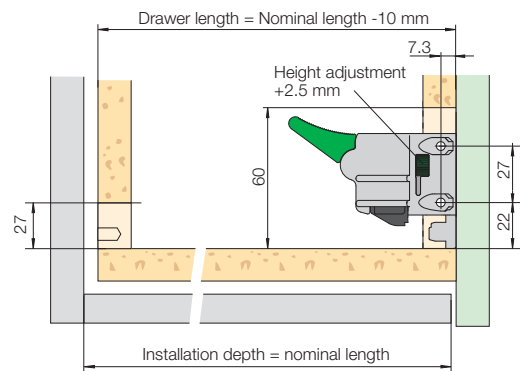
Drawer drill jig	66836-00
Cabinet member drill jig	95253
Pilot drill	35692
Drill bit with stop ring	92594

Installation notes for Interwood full extension.

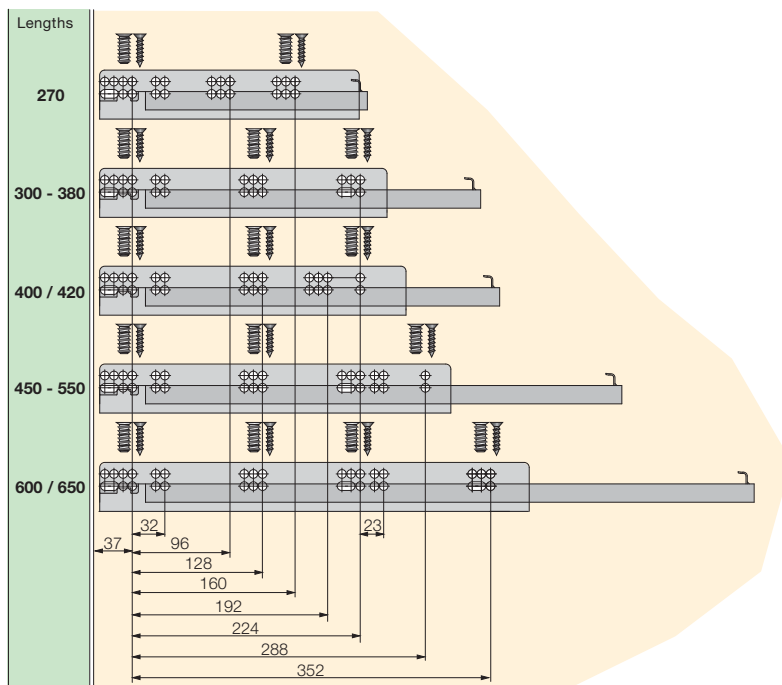
Dimension diagram of the drawer



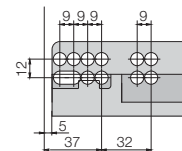
Assembly of the snap-in device



Drill hole pattern – cabinet members



Drill hole pattern (detail)



Cabinet member fastening

Euro screw:
 dia. 6 x at least 13 mm
 with dia. 7 mm countersunk head

Grass Interwood part-extension slide

Regular-extension slides for wood drawers.

Optimum functionality in all versions.

Even as an inexpensive regular-extension slide, Grass Interwood stands out by its unique functionality and its simple and efficient assembly.

- Smooth, easy running
- Low extension forces
- Perfect, hygienic Airmatic air cushioning, integrated into the slide system
- Absolute stability and lateral stability
- The drill hole pattern is compatible with the Interwood full-extension slide and other systems
- Tool-free height adjustment + 2.5 mm
- Easy insertion and removal of drawers
- Max. load 30 kg



Ordering information

Order one Interwood regular extension and Grass snap-in devices for a set. A packing unit of regular-extension slides includes 10 pairs of slides. A set of snap-in devices consists of 5 snap-in devices each for the left and right side.



Interwood regular extension 7413	
Lengths	regular extension
300	67968-04
350	67971-04
400	67974-04
450	67977-04
500	67980-04
550	67983-04
Packing unit 10 pairs	

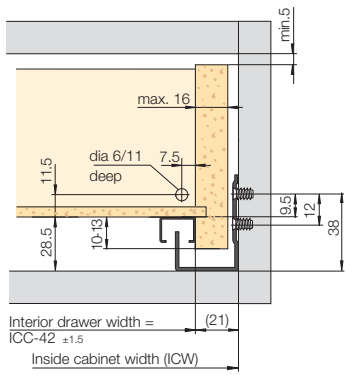
Assembly aids	
Drawer drill jig	66836-00
Cabinet member drill jig	95253
Pilot drill	35692
Drill bit with stop ring	92594

Grass snap-in device for Interwood	
Set of 5 snap-in devices	67897-38
Set: 5 left and 5 right	
200 snap-in devices	67897-12
Box of 200 snap-in devices containing packs of 5 pairs each	

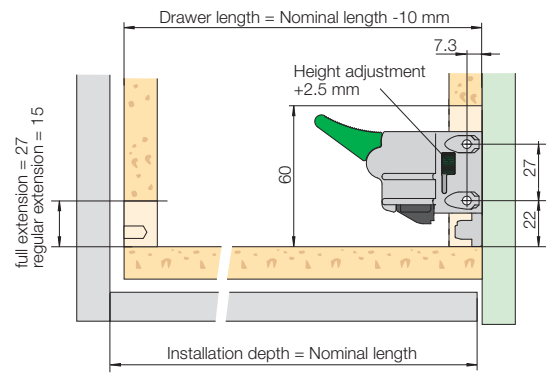


Installation notes for Interwood regular extension.

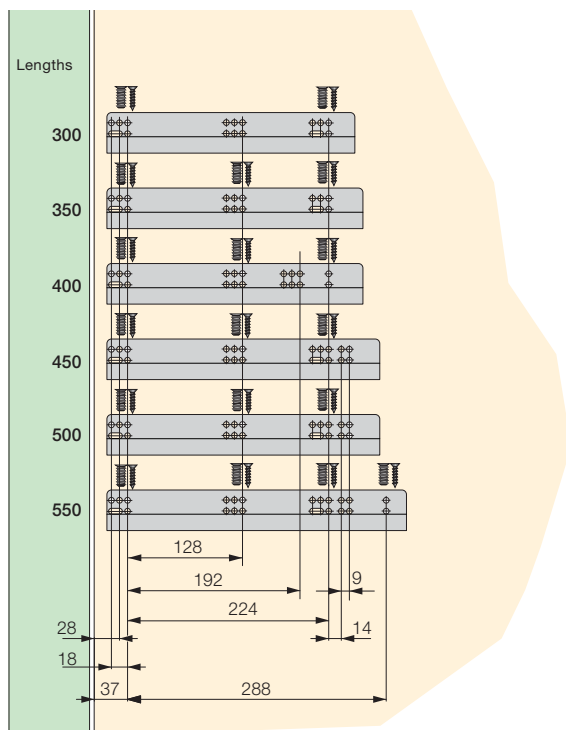
Dimension diagram of the drawer



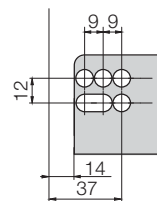
Assembly of the snap-in device



Drill hole pattern – cabinet members



Drill hole pattern (detail)



Cabinet member fastening

Euro screw:
 dia. 6 x at least 13 mm
 with dia. 7 mm countersunk
 head

Grass Interwood Tipmatic

The full-extension slide for handle-free furniture design.

Perfect functionality for a unique design

Handle-free furniture that moves at the touch of a finger supports the trend towards smooth front panels with a clean-cut look. Interwood Tipmatic now also permits a design of flush surfaces and perfect user convenience with undermount solutions.

- Smooth, easy running
- Maximum load 40 kg
- The drill hole pattern is compatible with Grass Nova Pro and other systems
- Tool-free height adjustment + 2.5 mm
- Simple insertion and removal of drawers
- Load-dependent extension distance
- Tool-free front gap adjustment: factory setting 4 mm front gap, adjustment range 4-7 mm
- Auto-correct function in case of an operating error



Depth adjustment

Ordering information

Order one Grass Interwood Tipmatic full extension and Grass snap-in devices for a set. A packing unit of full-extension slides includes 5 pairs of slides. A set of snap-in devices consists of 5 snap-in devices each for the left and right side.



Interwood Tipmatic 7514 S	
Lengths	full extension
270	69877-03
300	69878-03
350	69879-03
400	69880-03
450	69881-03
500	69882-03
550	69883-03
Packing unit 5 pairs	

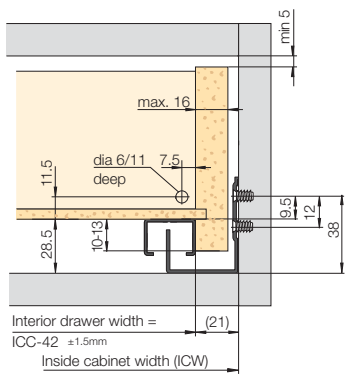
Assembly aids	
Drawer drill jig	66836-00
Cabinet member drill jig	95253
Pilot drill	35692
Drill bit with stop ring	92594

Grass snap-in device for Interwood	
Set of 5 snap-in devices	67897-38
Set: 5 left and 5 right	
200 snap-in devices	67897-12
Box of 200 snap-in devices containing packs of 5 pairs each	

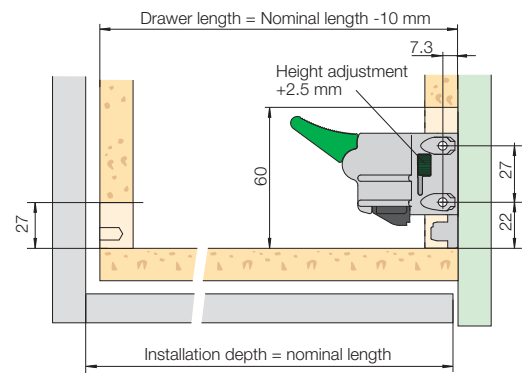


Installation notes for Interwood Tipmatic.

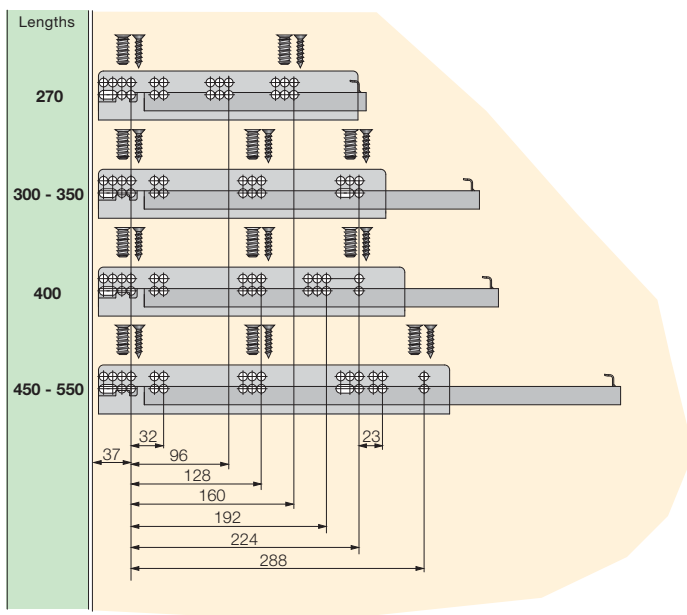
Dimension diagram of the drawer



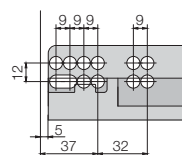
Assembly of the snap-in device



Drill hole pattern – cabinet members



Drill hole pattern (detail)



Cabinet member fastening

Euro screw:
 dia. 6 x at least 13 mm
 with dia. 7 mm countersunk head

Grass Interwood Tipmatic Plus

The full extension for handle-free furniture design.

Differentiated design through perfect function

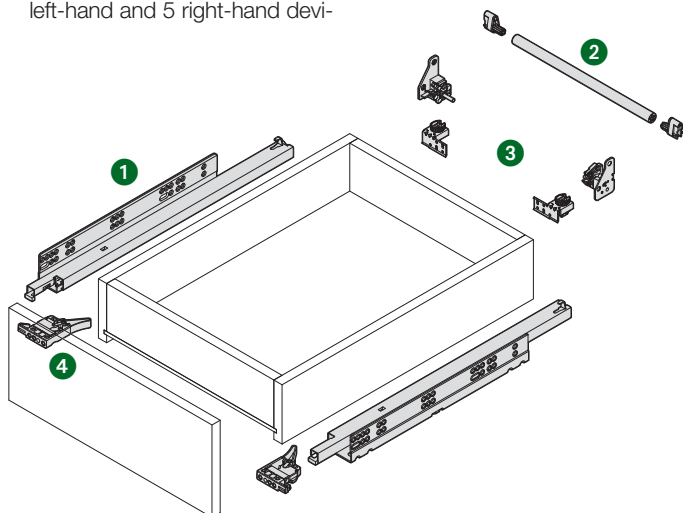
- Top Grass running performance
- Load capacity up to 40 kg
- Tool-free height adjustment
- Simple drawer insertion and removal
- Convenient opening and closing of the drawer or pull-out by gently tapping at any point over the entire width of the front.
- The unique and synchronised locking mechanism makes closing the drawer a delightful and satisfying experience for the user.
- Comfortable access to drawer contents thanks to the large opening distance.
- Convenient front gap adjustment by means of eccentric element: ± 1.5 mm
- System readily adaptable to suit every cabinet width
- Auto-correct facility in the event of operating error
- Drawers and cabinet drilling pattern remain the same.



Ordering information

For a pair, you will need to order one Grass Interwood Tipmatic® Plus full extension as well as Grass snap-in devices, locking units and synchronisation bars. One packing unit of full extensions consists of 5 pairs. One set of snap-in devices consists of 5 left-hand and 5 right-hand devi-

ces. One set of locking units consists of 5 pairs of locking units and 5 pairs of back panel adapters. One set of synchronisation units consists of 10 synchronisation bars, length 1079 mm, and 20 synchronisation levers.



1 Interwood Tipmatic Plus	
Lengths	full extension
270	71090-03
300	71091-03
350	71092-03
400	71093-03
450	71094-03
500	71095-03
550	71096-03
Packing unit 5 pairs	

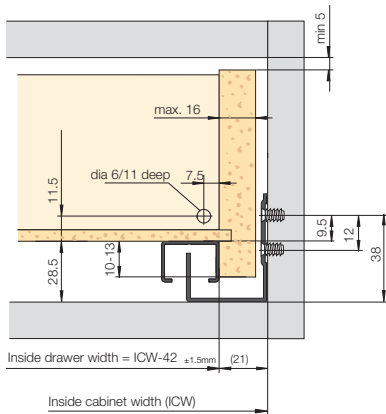
4 Interwood Tipmatic Plus	
Set of 5 snap-in devices	67897-03
Set: 5 left and 5 right	
200 snap-in devices	67897-12
Box of 200 snap-in devices containing packs of 5 pairs each	

Interwood Tipmatic Plus	
3 Locking units	71115-03
2 Synchronisation unit	68257-04

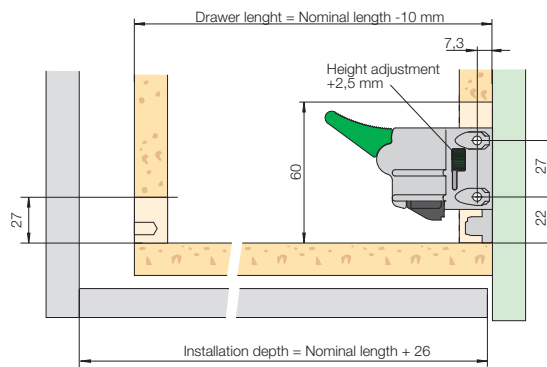
Assembly aids	
Drawer drill jig	66836-00
Cabinet member drill jig	95253
Pilot drill	35692
Drill bit with stop ring	92594
Drilling jig for the back panel adapter	71098-01
Drilling jig for the locking unit	71097-01

Installation notes Interwood Tipmatic Plus.

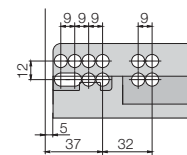
Dimension diagram of the drawer



Assembly of the snap-in device



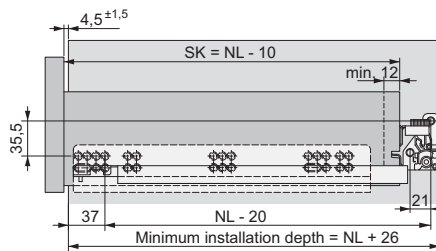
Drill hole pattern (detail)



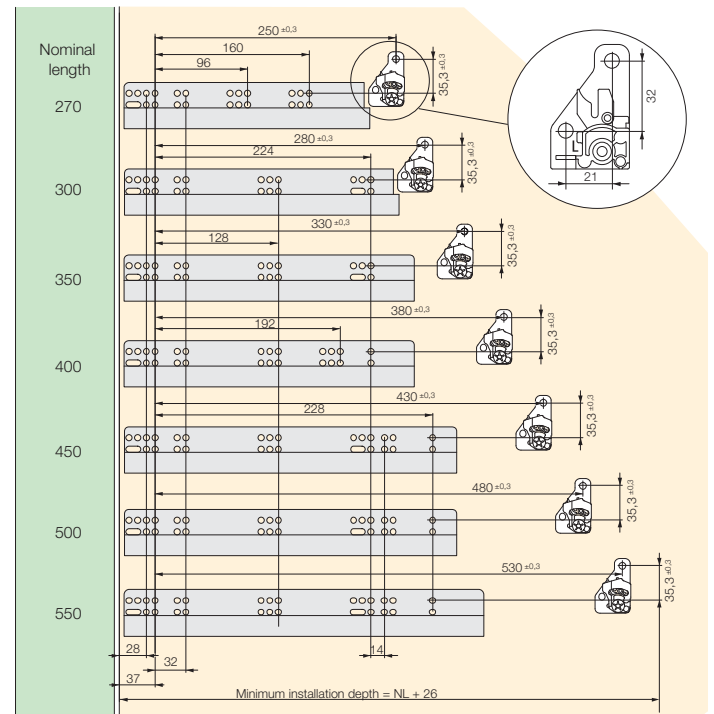
Cabinet member fastening

Euro screw:
dia. 6 x at least 13 mm
with dia. 7 mm countersunk head

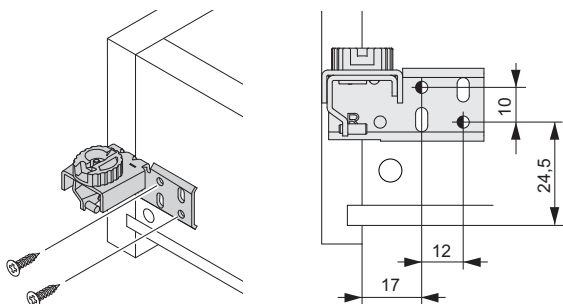
Drawer



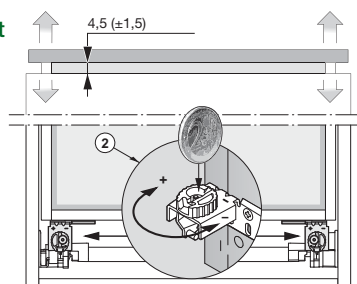
Drill hole pattern – cabinet members



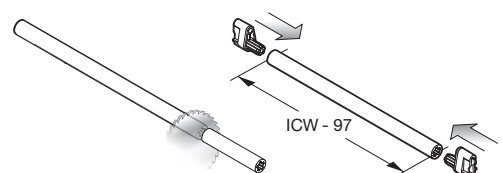
Adapter drill holes



Front gap adjustment



Cutting the synchronisation bar to size



Grass Ino(x)sys

The modular organization system for wood drawers.

Keep things tidy with Ino(x)sys.

Clear, practical, neat – and very versatile. The elegant, dishwasher-proof Ino(x)sys trays offer clever solutions for many applications that will make your life easier.

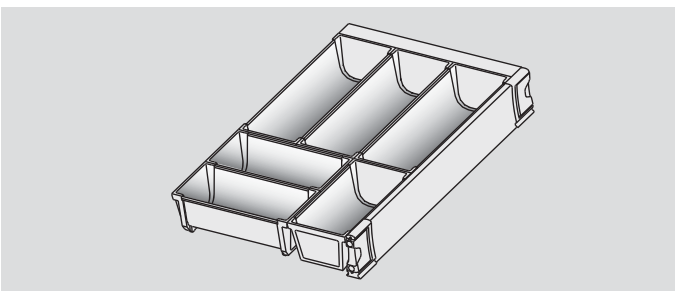
- For drawers containing cutlery and small parts
- High-quality stainless steel trays
- Optimum use of the available space
- Dishwasher-proof stainless steel trays

We are constantly improving our services and have received a number of awards for our product improvement. It goes without saying that our Ino(x)sys system has been tested for hygiene, suitability for food and corrosion resistance; the system has been certified by the Bavarian State Institute of Trade (LGA).



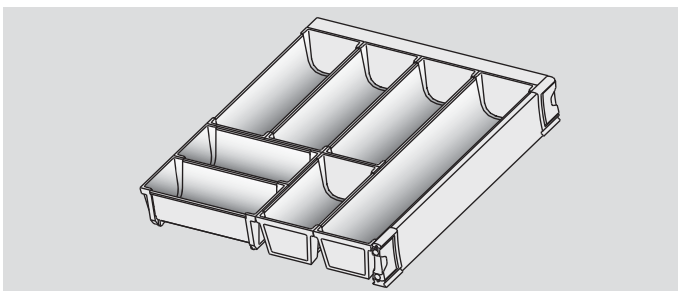
Grass Ino(x)sys P620 / B3 for cabinet width 400 or more

Length	Ino(x)sys
500	66516-01



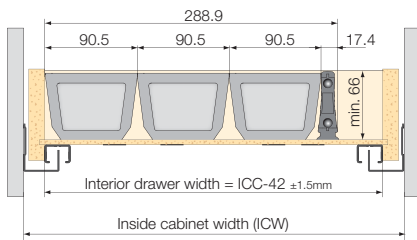
Grass Ino(x)sys P620 / B4 for cabinet width 500 or more

Length	Ino(x)sys
500	66517-01

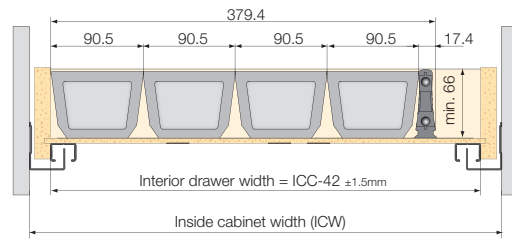


Installation notes for Ino(x)sys.

Dimension diagram Ino(x)sys P620/B3
From outside cabinet width 400 mm



Dimension diagram Ino(x)sys P620/B4
From outside cabinet width 500 mm



Ino(x)sys design

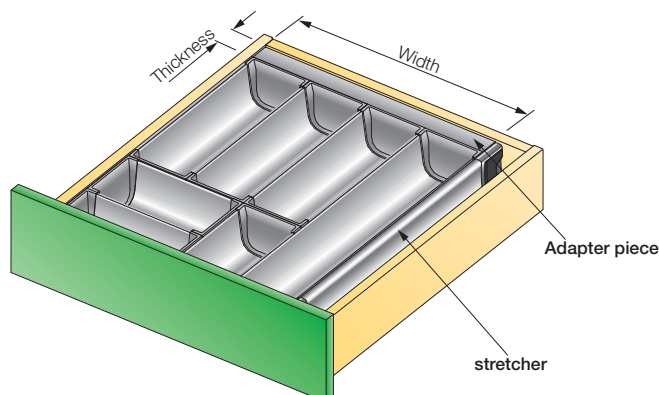
Adapter piece: The wooden adapter piece is made according to the drawer dimensions.
The thickness of the adapter piece is calculated with the following formulas:

Ino(x)sys type B3

Application:
From outside cabinet width 400 mm or more, Interwood nominal length 500 mm
Adapter piece thickness = interior drawer depth - 453 mm
Adapter piece width = 271.5 mm
Adapter piece height = 65 mm

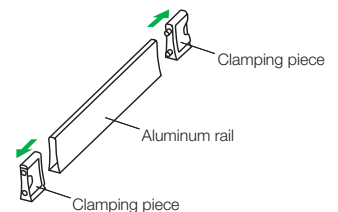
Ino(x)sys type B4

Application:
From outside cabinet width 500 mm or more, Interwood nominal length 500 mm
Adapter piece thickness = interior drawer depth - 453 mm
Adapter piece width = 362 mm
Adapter piece height = 65 mm



Stretcher:

Take the two clamping pieces off the stretcher, then shorten the aluminum rail to the required length.



Ino(x)sys type B3 and B4

Length of the aluminum rail = interior drawer depth - 87 mm

Grass Interwood

for wood pull-outs with round railing.

Inspired workmanship.

The combination of wood and chrome gives every piece of furniture a special touch. The round railing system by Grass also offers high user convenience. The chrome-

plated lateral railing rounds off the elegant look. Together with the divider railing and bottle holders, it represents a customizable organization system.



Ordering information

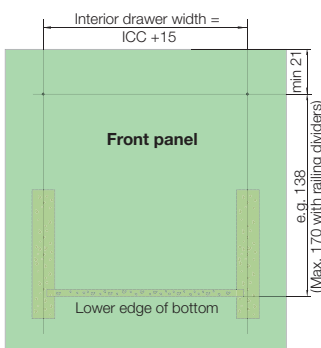
Order one Grass Interwood full-extension or regular extension slide and Grass snap-in devices for a set.

The matching lateral round railing is available in sets 1/10 incl. back and front railing clips and cover caps.

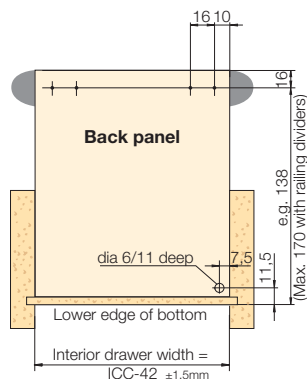
Interwood chrome side railing		
Nominal length	Railing length	Railing set 1/10 pcs.
270	236	66900-04
400	366	66901-04
450	416	66902-04
480	446	66903-04
500	466	66904-04
520	486	66906-04
550	516	66907-04
Packing unit 10 pairs		



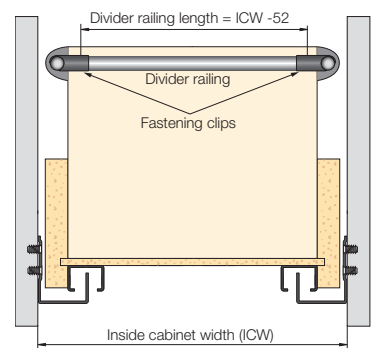
Fastening the side railing in front



Fastening the side railing to the back panel



Divider railing



Organizer systems for wood drawers.



Individual use of storage space in pull-outs.

With the chrome-plated round railing and fastening clips by Grass, you can simply adjust the divider railing to any desired length for an optimum use of the storage space. Grass offers bottle holders and railing dividers made of charcoal-gray plastic that provide secure support for bottles and partition the available space.



Divider railing, chrome-plated, 1200 mm, to be shortened as needed

Sets of 10 pcs 66908-04



**Fastening clip
Charcoal-gray plastic RAL 7016**

Sets of 20 pcs 65339-39



**Bottle holder
Charcoal-gray plastic RAL 7016**

Sets of 20 pcs 39287-39
Sets of 100 pcs 39287-09



**Railing divider
Charcoal-gray plastic RAL 7016**

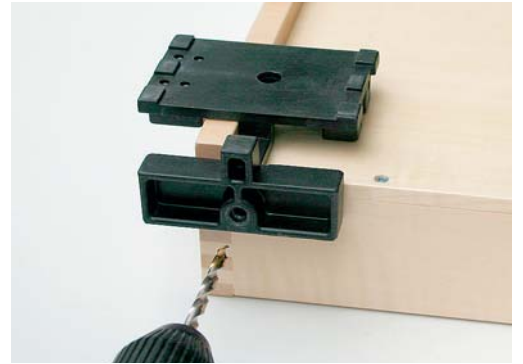
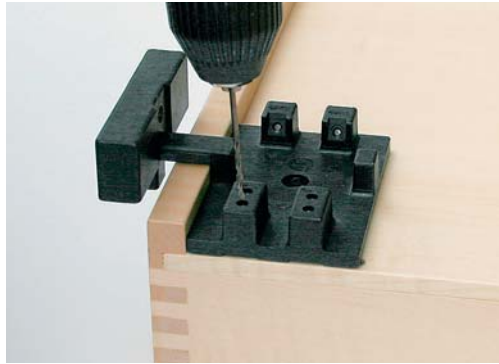
Sets of 5 pcs 69884-03
Sets of 50 pcs 69884-08

Grass Interwood

Installation technology.

Drawer drill jig

For efficient assembly of the snap-in device on the drawer.



Cabinet drill jig

For the quick and easy placement of cabinet member drill holes.



Center drill

Ø 2.7 mm for drywall screws.



Drill with set collar

Ø 5 mm for Euro screws.



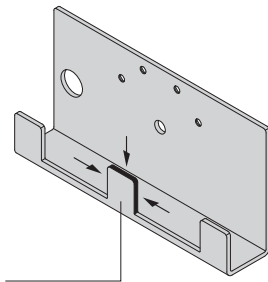
Assembly aids

Drawer drill jig	66836-00
Cabinet drill jig	95253
Pilot drill, dia. 2.7 mm	35692
Drill bit with stop ring dia. 5 mm for Euro screws	92594

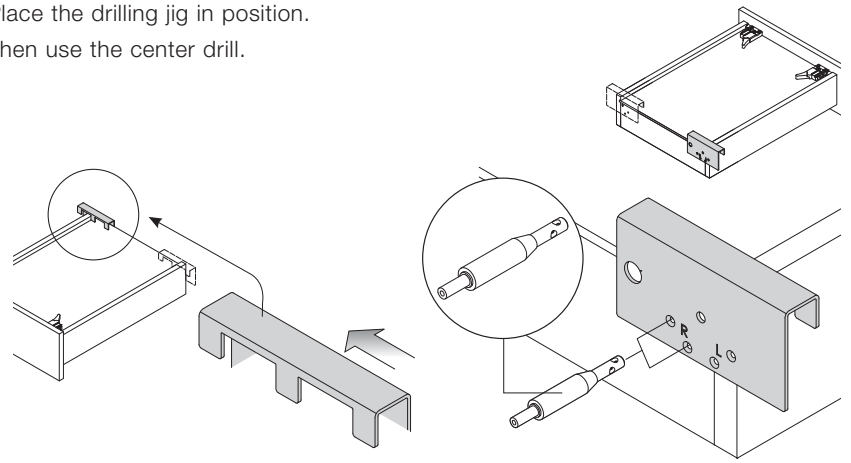
Drilling jigs.

Drilling jig for the back panel adapter

to be used on the left and right sides of the drawer.

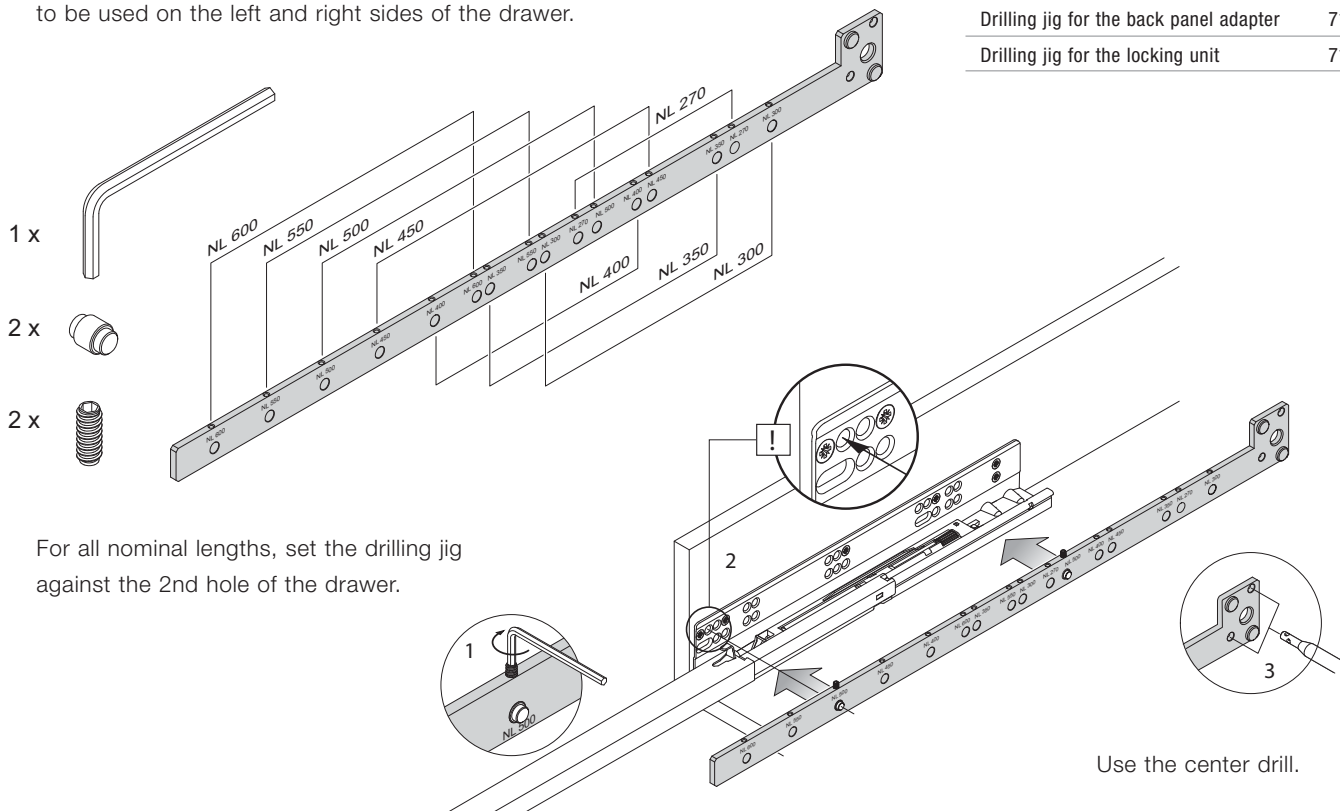


Place the drilling jig in position.
Then use the center drill.



Drilling jig for the locking unit,

to be used on the left and right sides of the drawer.



Assembly aids

Drilling jig for the back panel adapter	71098-01
Drilling jig for the locking unit	71097-01

Grass Installation Machines

For cabinet makers and small series production.

Ecoflex

- Drilling depth stop in the gearbox
- Stop scale adjustment by means of clamping lever
- Integrated dust extraction system
- Retainer
- Pneumatic control system
- Simple, clever handling = efficient operation
- Compact design



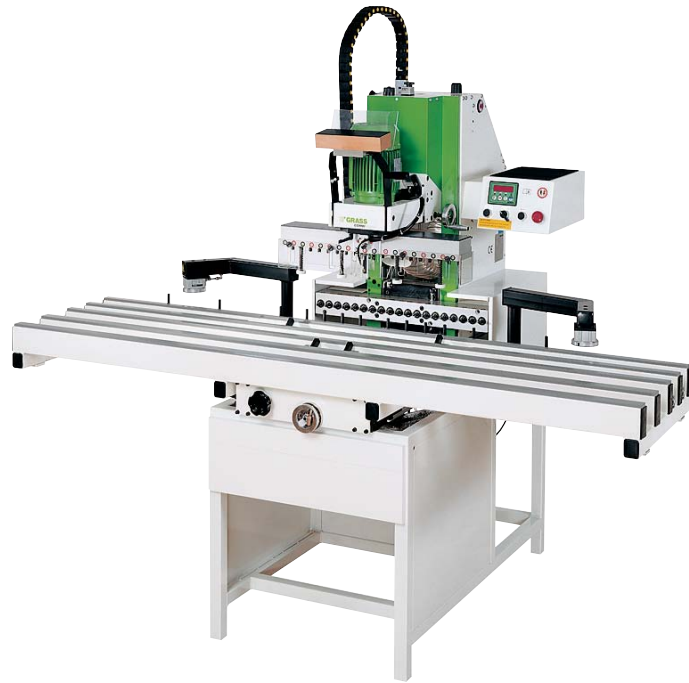
Multiflex

- Vertical spindle gearbox, can be swiveled through 90°
- Drilling depth stop with scale
- Service-friendly
- Stop scale adjustment with handwheel
- Horizontal 3-spindle gearbox
- Simple, clever handling = efficient operation
- Compact design, stable base frame



Combipress

- Carcass rails, drawers and slides
- Hinges, base plates with dowels
- Line drilling, shelf support
- Dowel holes
- Frame connections with 90° miter
- Handles



Flexipress V/H

- Carcass rails, drawers and slides
- Hinges, base plates with dowels
- Line drilling, shelf support
- Dowel holes
- Frame connections with 90° miter
- Handles



G* GRASS

The star in your cabinet

Grass GmbH, Furniture fittings
Grass Platz 1
6973 Höchst
Austria

Phone +43 / 5578 / 701-0
Fax +43 / 5578 / 701-59

www.grass.at, info@grass.at